

# KOOLAIR

## series

# KSV

Constant air volume  
terminal units



ISO 9001

BUREAU VERITAS  
Certification

Sistema de Gestión



[www.koolair.com](http://www.koolair.com)

## Terminal unit CAV

### Contents

Description and Selection table	4
Dimensions	5

# Terminal unit CAV



KSV with RCCK



KSV with RCQK

## Description

Terminal control unit constant air flow, KOOLAIR brand, model **KSV / KSVL**, length dimension 610/1360 mm.

Formed by a casing galvanized sheet steel, with internal insulation of thermoacoustic glass wool 30 mm thick coated with black fiber glass.

Regulator incorporates auto mechanic without need of external energy, ensuring a constant air flow independently of pressure variations suffered by the system.

Provides the required flow rate with high accuracy, easily adjustable to any other volume requires on site.

Minimum required inlet pressure of 50 Pa.

Material inside thermoacoustic high strength, not harmful to the health, prevents the cultivation of microorganisms and fire resistant, non-combustible M0.

## Other Models

**KSV.** Constant air volume terminal unit KSV of length 610 mm.

**KSVL.** Constant air volume terminal unit KSV of length 1360 mm.

## Accessories

**Outlet plenum.** Plenum with multiple outlets available upon request.

**W.** LPHW low pressure hot water battery.

**E.** Reheat electric battery.

# Selection table

Size	Q (m <sup>3</sup> /h)	ΔP <sub>min</sub> (Pa)	Regenerated noise		Radiated noise	
			Sound pressure L <sub>PA</sub> dB(A) ΔP = 100 Pa	Sound pressure L <sub>PA</sub> dB(A) ΔP = 500 Pa	Sound pressure L <sub>PA2</sub> dB(A) ΔP = 100 Pa	Sound pressure L <sub>PA2</sub> dB(A) ΔP = 500 Pa
100	80	50	<20	29	<20	<20
	325	50	21	38	<20	<20
200	135	50	<20	35	<20	<20
	500	50	26	44	<20	26
400	235	50	23	39	<20	<20
	850	50	33	49	<20	32
600	370	50	28	43	<20	<20
	1320	50	35	51	24	37
800	430	50	29	44	<20	34
	1730	50	39	55	29	44
1200	530	50	30	45	<20	35
	2160	50	41	55	31	45
1600	720	50	34	51	24	39
	2850	50	41	56	31	46
2000	880	50	36	49	26	39
	3600	50	42	57	31	46
3000	1080	50	32	46	<20	31
	4320	50	42	56	31	45

## LEGEND

Q (m<sup>3</sup>/h): Air-flow.

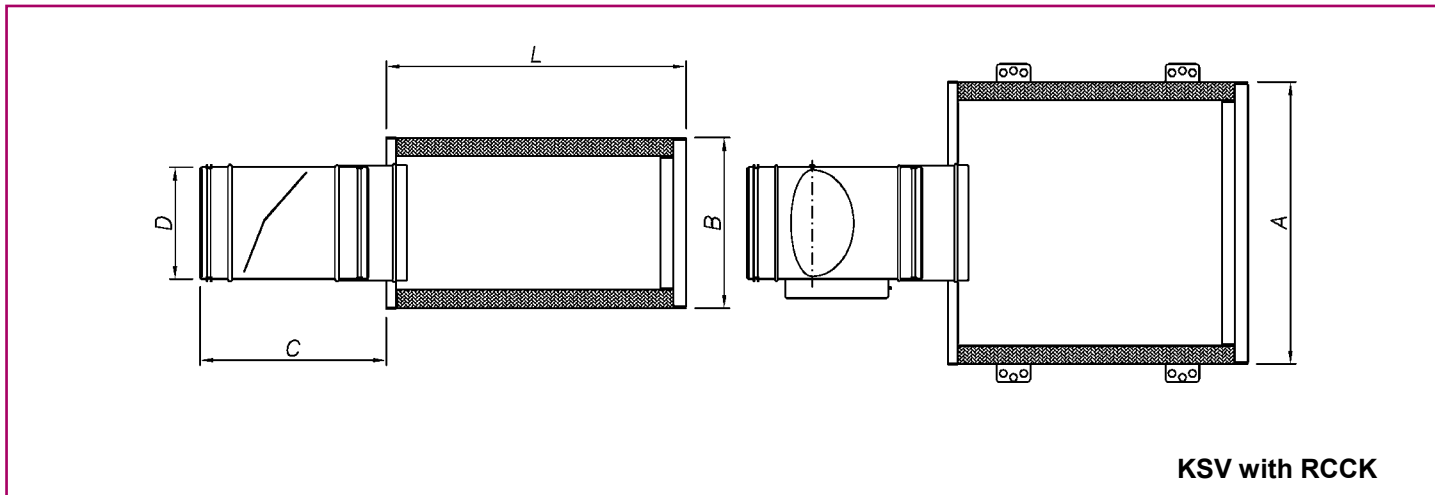
L<sub>PA</sub>: Sound pressure level of the regenerated noise, in dB(A), considering a room attenuation of -10 dB/oct.

L<sub>PA2</sub>: Nivel Sound pressure level of the radiated noise, in dB(A), considering a room attenuation of -10 dB/oct.

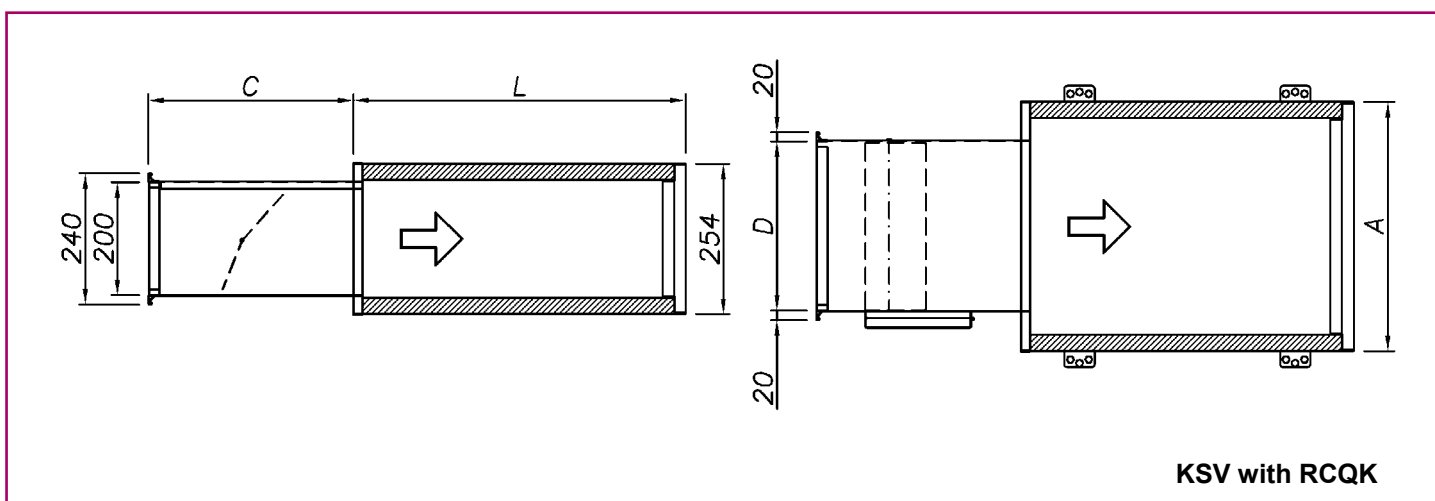
ΔP<sub>min</sub>: Minimal differential pressure in Pa.

ΔP = 100/500 Pa: Differential pressure in Pa (measured at the inlet and outlet of the unit).

## Dimensions



Type	A	B	C	D	L		KSVL
					Without lateral outlets	With lateral oval spigots	
100	240			Ø 100			
200	265	254	480	Ø 125	610	915	1360
400	300			Ø 160			
600	320			Ø 200			



Type	A	B	C	D	L		KSVL
					Without lateral outlets	With lateral oval spigots	
800	340			200			
1200	420			300			
1600	520	254	485	400	610	915	1360
2000	585			500			
3000	655			600			

**THIS CATALOGUE IS INTELLECTUAL PROPERTY,**

Reproduction, either partial or total, by any means, including electronic, is prohibited without prior written authorisation from KOOLAIR, S.L.



**KOOLAIR, S.L.**

Calle Urano, 26

Poligono industrial nº 2 – La Fuensanta

28936 Móstoles - Madrid - (España)

Tel: +34 91 645 00 33

Fax: +34 91 645 69 62

e-mail: [info@koolair.com](mailto:info@koolair.com)

[www.koolair.com](http://www.koolair.com)