

KOOLAIR

series

Extract valves

ISO 9001

BUREAU VERITAS
Certification

Sistema de Gestión



www.koolair.com



CONTENTS

Extract valves 46-SV	2
Extract valves GPD	3
Extract grille BEAK	5

Extract valves 46 SV



Description

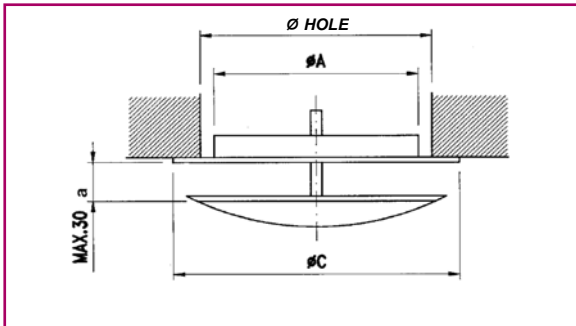
Model 46 SV, with volume control by manual rotation of the central part.

Finishes

White colour (constructed in anticorrosive PVC).

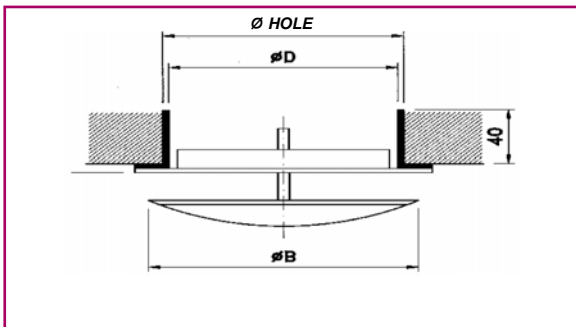
Dimension

Ø 150 mm.



46 SV without mounting ring

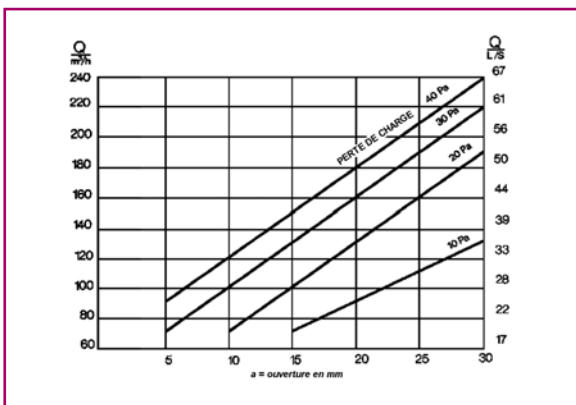
The valve is fixed to the surface by means of screws.



46 SV with metal mounting ring

The mounting ring is fixed to the surface by means of its fasteners. The valve is then screwed to this ring.

SIZE	Ø HOLE		Ø A	Ø B	Ø C	Ø D
	WITHOUT RING	WITH RING				
150	155	160	147	155	183	155



Characteristics and general dimensions

The circular extract valves 46 SV are especially appropriate for extraction of air in small rooms, bath rooms, toilets, etc...

Quick selection graph

The pressure loss of the valve is obtained by entering the graph at the desired air flow rate and the opening "a" in mm.

Extract / supply valves GPD / GPDI



GPD

Description

Exhaust/supply outlets, KOOLAIR, GPD model – for use in confined spaces (bathrooms, lavatories, kitchens, etc). Standard finish in RAL 9010.

Models

GPD. Exhaust outlet.
GPDI. Supply outlet.
BEAK. Circular aluminium extract valve.



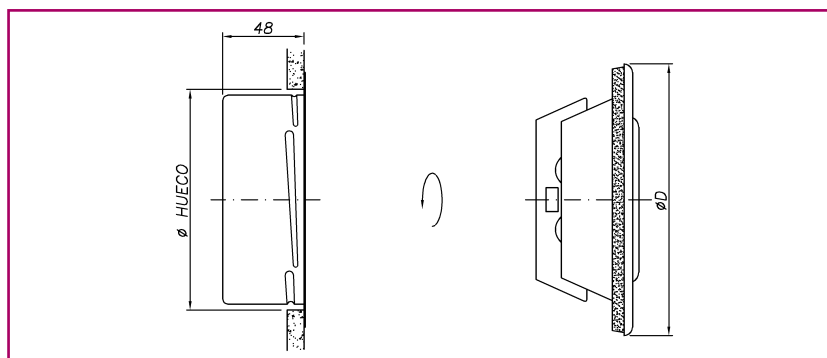
GPDI

Mounting

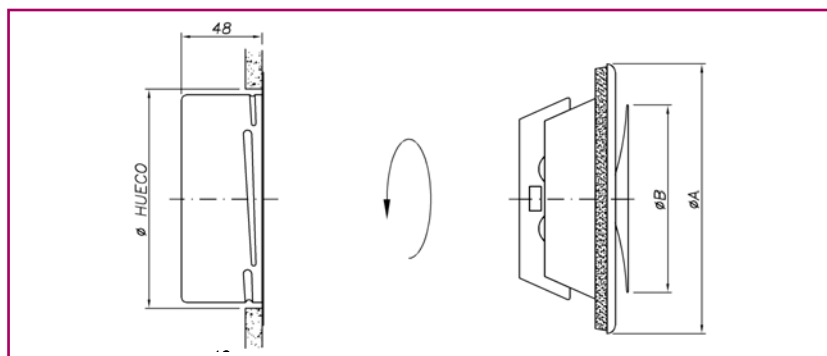
With metal mounting ring.

Characteristics and general dimensions

The circular extract valves GPD are especially appropriate for extraction of air in small rooms, bath rooms, toilets, etc... They have a low noise level and are very easy to mount, due to the system with pressure rings and connection ring in surface.



MODEL	Ø D	Ø HOLE
GPD-80	116	85
GPD-100	138	105
GPD-125	165	130
GPD-150	200	155
GPD-160	208	165
GPD-200	250	205



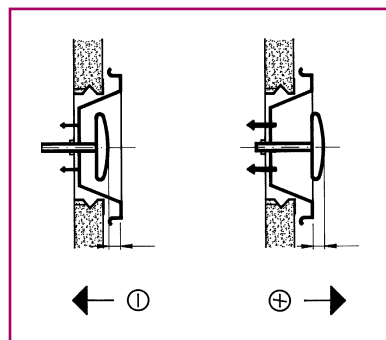
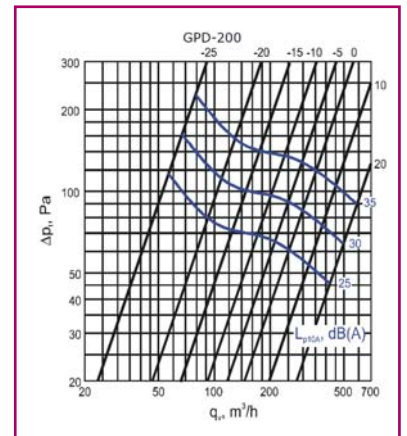
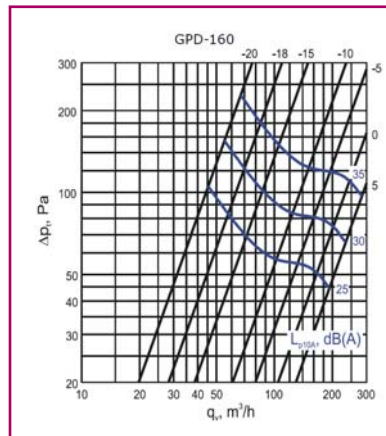
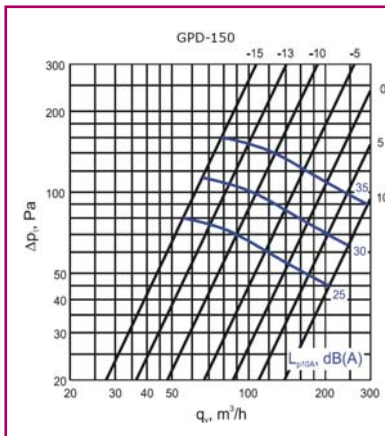
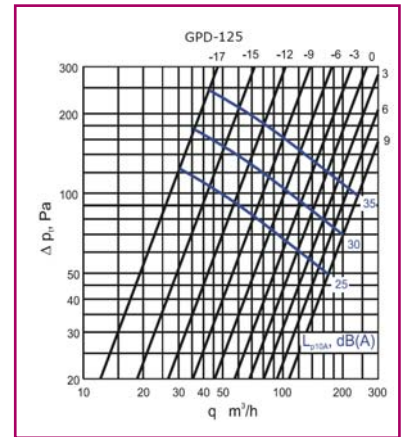
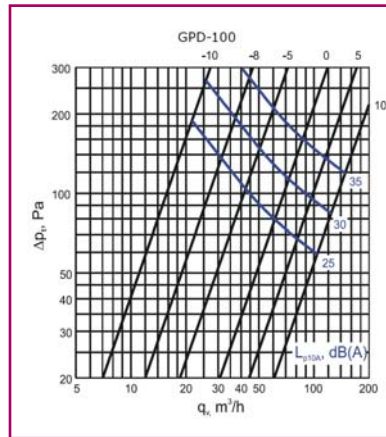
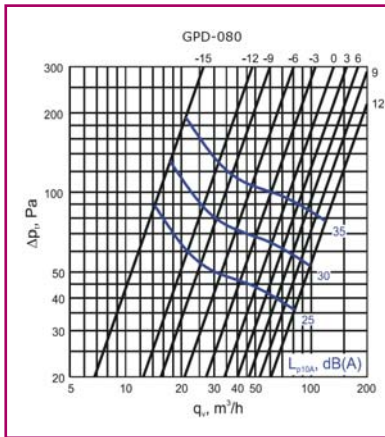
MODEL	Ø D	Ø B	Ø HOLE
GPDI-80	116	76	85
GPDI-100	140	92	105
GPDI-125	170	111	130
GPDI-150	202	135	155
GPDI-160	202	135	165
GPDI-200	254	194	205

Technical data GPD / GPD I

Quick selection graph

These graphs are based on units, mounted on a duct with a length of at least 300 mm.

The pressure loss of the valve is obtained by entering the graph at the desired air flow rate and the valve position in mm.



Quick selection table GPD

Dimensions	Q (m³/h)	LwA [dB(A)]	ΔPt (Pa)
80	45	15	18
	50	20	24
	65	25	41
100	55	15	33
	70	20	47
	80	25	66
125	105	15	27
	125	20	39
	140	25	55
150	120	15	24
	140	20	35
	170	25	48
160	125	15	22
	160	20	32
	190	25	44
200	210	15	29
	250	20	41
	290	25	58

Quick selection table GPD I

Dimensions	Q (m³/h)	LwA [dB(A)]	ΔPt (Pa)
80	50	25	25
	61	30	50
	72	35	70
100	72	25	45
	86	30	60
	108	35	75
125	144	25	40
	173	30	55
	205	35	70
150	212	25	40
	245	30	60
	288	35	70
160	180	25	30
	209	30	48
	234	35	65
200	288	25	32
	360	30	50
	432	35	70

LEGEND

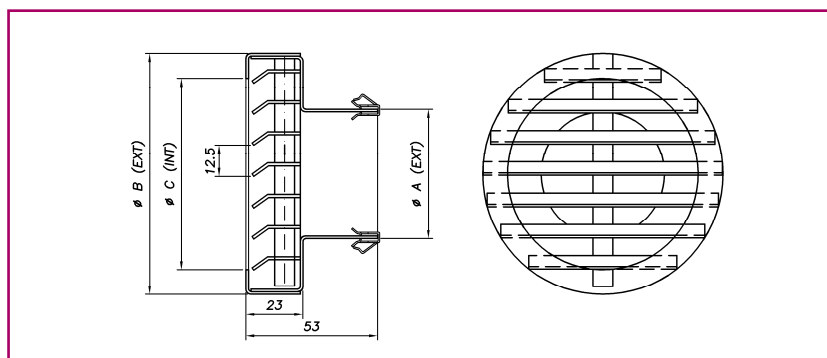
Q (m³/h): Air flow.
 L_{wA} [dB(A)]: Sound power level
 ΔP_t (Pa): Total pressure loss

Extract grille BEAK

Product description

Circular section extract grille, BEAK model, made from aluminium, with a removable core with fixed slats at 45°. Clips fitted to the collar to allow concealed mounting. Anodised aluminium finish or painted in RAL colour (to be defined). Wall or ceiling mounted, with direct connection to circular duct. Can also be used for supply. Available in the following sizes: Ø80-100-125-160.

Generic dimensions:



Model	Ø A	Ø B	Ø C
Ø 80	75	120	100
Ø 100	95	160	140
Ø 125	120	160	140
Ø 160	155	200	180

BEAK Selection Tables

Size	Q(m ³ /h)	L _{WA} (dB(A))	ΔP _{est} (Pa)
80	50	25	19
	68	30	36
	82	35	52
100	85	25	21
	115	30	37
	141	35	55
125	97	25	15
	128	30	26
	152	35	35
160	150	25	13
	200	30	22
	233	35	29

LEGEND

Q (m³/h): Flow rate.
 L_{WA} [dB(A)]: Sound power level.
 ΔP_t (Pa): Pressure loss

THIS CATALOGUE IS INTELLECTUAL PROPERTY.

Reproduction, either partial or total, by any means, including electronic, is prohibited without prior written authorisation from KOOLAIR, S.L.



KOOLAIR, S.L.

Calle Urano, 26

Poligono industrial nº 2 – La Fuensanta

28936 Móstoles - Madrid - (España)

Tel: +34 91 645 00 33

Fax: +34 91 645 69 62

e-mail: info@koolair.com

www.koolair.com