

KOOLAIR

series

V

Intumescent
air transfer grilles

ISO 9001

BUREAU VERITAS
Certification

Sistema de Gestión



www.koolair.com



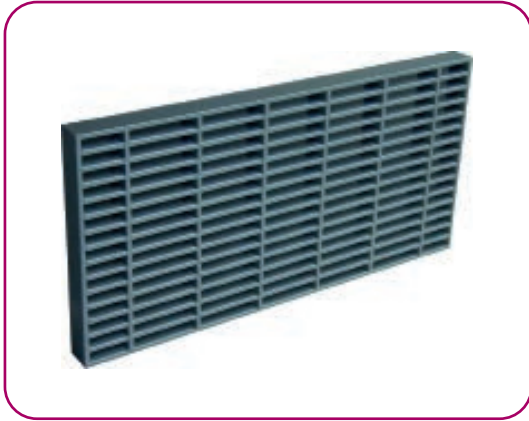
Intumescent air transfer grilles



CONTENTS

Description	2
Dimensions	4

Intumescent air transfer grilles



Description

Koolair intumescent grilles, model **V** for rectangular ducts and model **VC** for round ducts, are used to compartmentalise zones in the event of a fire or high temperature gases.

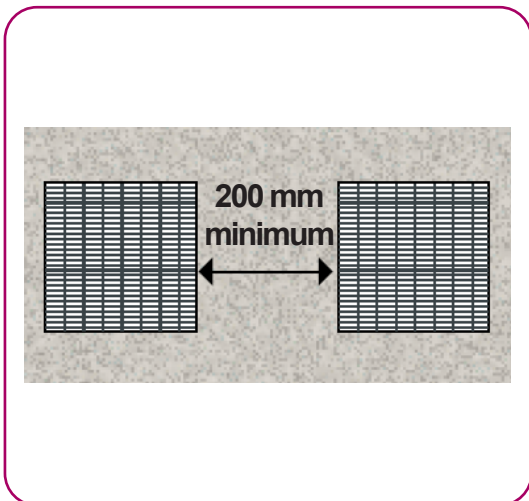
Characteristics

The V and VC grilles contain an intumescent material that expands when exposed to heat (usually within 5 minutes) to seal the ventilation duct and prevent flames, smoke or gases from getting through. They comply with European Test Standard EN1364-5.

The grilles are made of thermoplastic sleeves filled with PALUSOL® intumescent strips that are activated at temperatures of 100 °C and above. They are recommended for use indoors (avoiding contact with water and sustained temperatures over 40 °C). They are designed to facilitate efficient airflow without excessive noise.

The grilles allow air to flow in both directions and can be mounted both vertically and horizontally depending on the application: the free area is approximately 60%. The intumescent grilles have been tested when centred in the test wall to obtain an approved fire rating on each side. They are maintenance-free and should be stored in a dry and well-ventilated location.

They are available in a wide range of sizes and thicknesses: V40 rated EI60, V50 rated EI90, V60 rated EI120 and VC60 rated EI90. The default colour of the slats and frame is grey although other colours are available on request. The V and VC grilles are manufactured in a 50mm raster and can be supplied with a decorative grille to hide the intumescent grille for aesthetic reasons.



Intumescent air transfer grilles

Installation

The V and VC grilles are easy to install. They should be screwed to the walls and sealed using a specific intumescent mastic. Any gaps smaller than 5 mm after installation should be filled with intumescent mastic in order to ensure the grille is completely airtight when cold or during a fire.

If several intumescent grilles are to be installed, they should be set 200 mm apart in accordance with current standards. The actual dimensions of the V intumescent grille are 3mm less than the nominal dimensions (LxH). It should be positioned centrally with respect to the thickness of the concrete wall. It should be fixed to the wall with 4 screws on both sides of the grille. The actual dimension of the VC intumescent grille is 3mm less than the nominal diameter (\emptyset). It should be positioned centrally with respect to the thickness of the wall.

Models

V40. EI60 rectangular grille manufactured using an intumescent material and thermoplastic sleeves filled with PALUSOL intumescent strips.

V50. EI90 rectangular grille manufactured using an intumescent material and thermoplastic sleeves filled with PALUSOL intumescent strips.

V60. EI120 rectangular grille manufactured using an intumescent material and thermoplastic sleeves filled with PALUSOL intumescent strips.

VC60. EI90 circular grille manufactured using an intumescent material and thermoplastic sleeves filled with PALUSOL intumescent strips.

Summary of declared performance

Model	Dimensions (mm)	Construction	Classification
V40	Length: 100 to 600 mm * Height: 100 to 600 mm * Thickness: 40 mm	Intumescent material and thermoplastic sleeves filled with PALUSOL intumescent strips	EI60
V50	Length: 100 to 600 mm * Height: 100 to 600 mm * Thickness: 50 mm	Intumescent material and thermoplastic sleeves filled with PALUSOL intumescent strips	EI90
V60	Length: 100 to 600 mm * Height: 100 to 600 mm * Thickness: 60 mm	Intumescent material and thermoplastic sleeves filled with PALUSOL intumescent strips	EI120
VC60	\emptyset : 100 to 400 mm * Thickness: 60 mm Available in \emptyset 125 mm	Intumescent material and thermoplastic sleeves filled with PALUSOL intumescent strips	EI90

*in 50 mm raster

Intumescent air transfer grilles

Dimensions

V40:

Length: 100 mm to 600 mm (in 50 mm increments)
 Height: 100 mm to 600 mm (in 50 mm increments)
 Thickness: 40 mm

V50:

Length: 100 mm to 600 mm (in 50 mm increments)
 Height: 100 mm to 600 mm (in 50 mm increments)
 Thickness: 50 mm

V60:

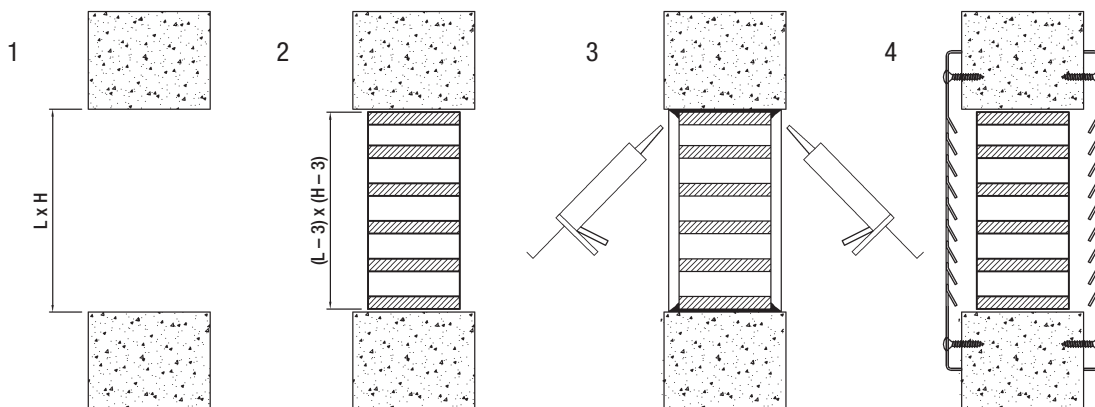
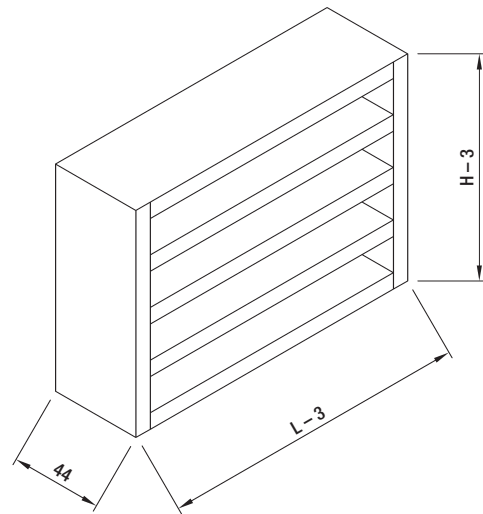
Length: 100 mm to 600 mm (in 50 mm increments)
 Height: 100 mm to 600 mm (in 50 mm increments)
 Thickness: 60 mm

VC60:

Diameter: Ø 100 mm to Ø 600 mm (in 50 mm increments available in Ø 125 mm)
 Thickness: 60 mm

Installation

1. Opening
2. Intumescent grille
3. Seal between grille and wall
4. External grille (optional)



THIS CATALOG IS INTELLECTUAL PROPERTY.

The partial or total reproduction of its contents is forbidden without the express and authoritative authorisation of KOOLAIR, S.L.



KOOLAIR

KOOLAIR, S.L.

Calle Urano, 26

Poligono industrial nº 2 – La Fuensanta

28936 Móstoles - Madrid - (España)

Tel: +34 91 645 00 33

Fax: +34 91 645 69 62

e-mail: info@koolair.com

www.koolair.com