

KOOLAIR



Diffuser



DCLT

Mounting
instructions

www.koolair.com

Circular ceiling diffuser DCLT

Mounting instructions



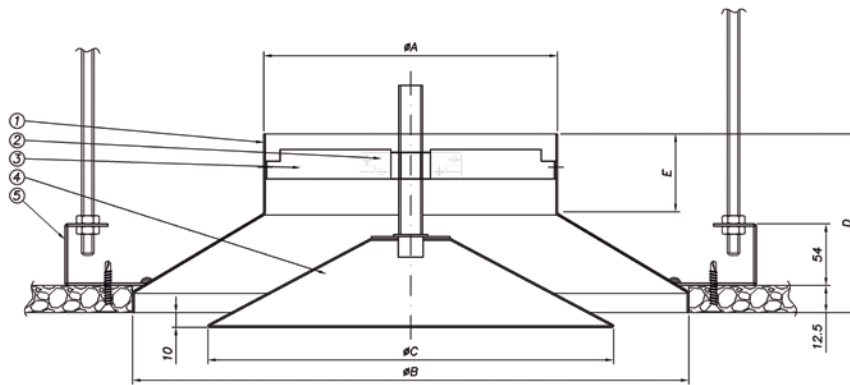
DCLT Diffuser Installation Process

Mounting instructions

There are two installation options for this diffuser:

OPTION 1 - Supported on false ceiling - SEMI-OPEN CEILING.

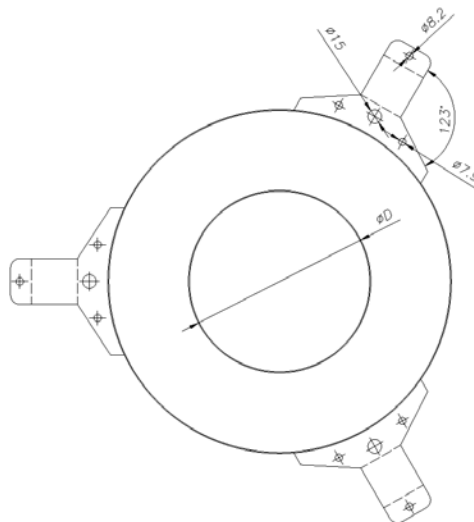
OPTION 2 - Suspended from the slab through hanging lugs (NO possibility of rear access - CLOSED CEILING).



MODEL	Ø A	Ø B	Ø C	D	E
125	124	245	207	100	45
160	159	275	221	100	45
200	199	375	286	125	55
250	249	460	359	130	55
315	314	560	460	150	60

- 1- Outer ring.
- 2- Plastic nut.
- 3- Ring retaining plate.
- 4- Intermediate ring.
- 5- Fixing brackets.

Arrangement of ceiling support brackets



3 units per diffuser, except model 125 (2 units facing each other).

NOTE: The installation height for plasterboard is 12.5mm (for any other plaster/plasterboard thickness, please specify when ordering/on request) - See GST pg. 62-63.

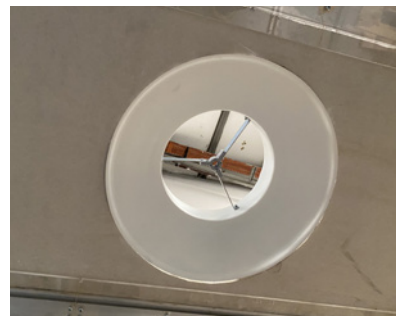
DCLT Diffuser Installation Process

Mounting instructions

OPTION 1 - Supported on false ceiling.

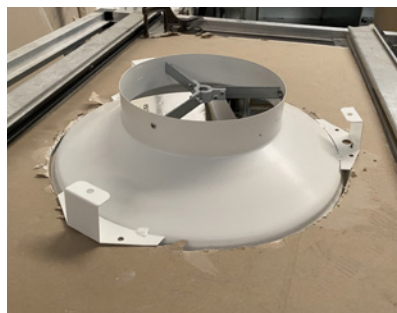
OPTION 1 would be used to fix the diffuser to the plaster/plasterboard ceiling, with its corresponding flexible duct already installed or plenum box in the ceiling.

1.- A hole is drilled in the plaster plate with the dimension required for the diffuser (B+3), and the diffuser is placed in the accommodation.



2.- Screwing on the diffuser hanging lugs.

Once this is done, proceed to screw the diffuser (on the hanging lugs).



DCLT Diffuser Installation Process

Mounting instructions

3.- Finally, the joints and cutting gaps between the diffuser and the plaster plate are filled.



With application of "anti-cracking bandage".

** Subsequent refining of the given plaster paste and painting of the ceiling.



DCLT Diffuser Installation Process

Mounting instructions

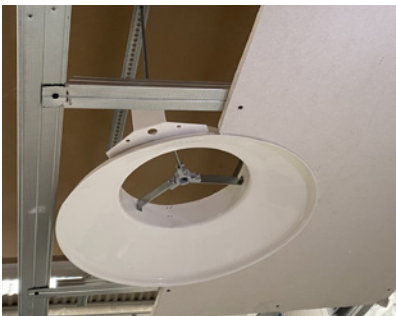
OPTION 2 - Suspended from the slab through hanging lugs.

OPTION 2, would be used if after fixing the diffuser to the plaster/plasterboard ceiling, the diffuser is NOT accessible for duct installation (CLOSED CEILING).

1.- The diffuser hanging lugs are used to suspend the diffuser from the slab by means of a threaded rod or similar, until it is level and flush with the ceiling level (standard plasterboard height 12.5mm).



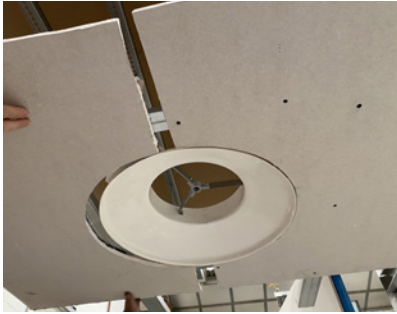
2.- A hole is drilled in the plaster plate with the dimension required by the diffuser (B+3), then the plaster plate is cut in half and the diffuser is placed in the accommodation.



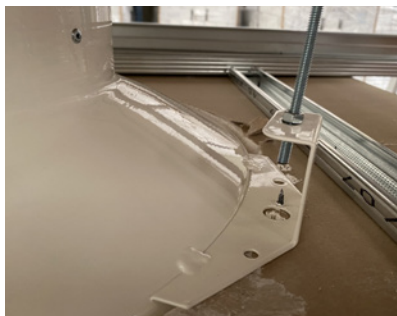
DCLT Diffuser Installation Process

Mounting instructions

3.- Once this is done, both halves are joined together and the diffuser is screwed on, using the hanging lugs.



Screwed into diffuser hanging lugs.



DCLT Diffuser Installation Process Mounting instructions

4.- Finally, joints and cutting clearances are filled.



With application of "anti-cracking bandage".



** Subsequent refining of the given plaster paste and painting of the ceiling.



THIS CATALOGUE IS INTELLECTUAL PROPERTY.

Reproduction, either partial or total, by any means, including electronic, is prohibited without prior written authorisation from KOOLAIR, S.L.



KOOLAIR

KOOLAIR, S.L. (Spain)

Calle Urano, 26

Polig. Ind. nº 2 – La Fuensanta

28936 Móstoles (MADRID)

Tel: +34 91 645 00 33

Fax: +34 91 645 69 62

e-mail comercial: comercial@koolair.com

e-mail Koolair: info@koolair.com

www.koolair.com

Koolair, S.L. reserves the right to change publisher datas and drawings at any time without prior notice written.