

KOOLAIR



Linear diffuser



DF-LIT-E

Mounting
instructions

www.koolair.com

Linear hidden-slot diffuser DF-LIT-E Mounting Instructions



DF-LIT-E Mounting Instructions

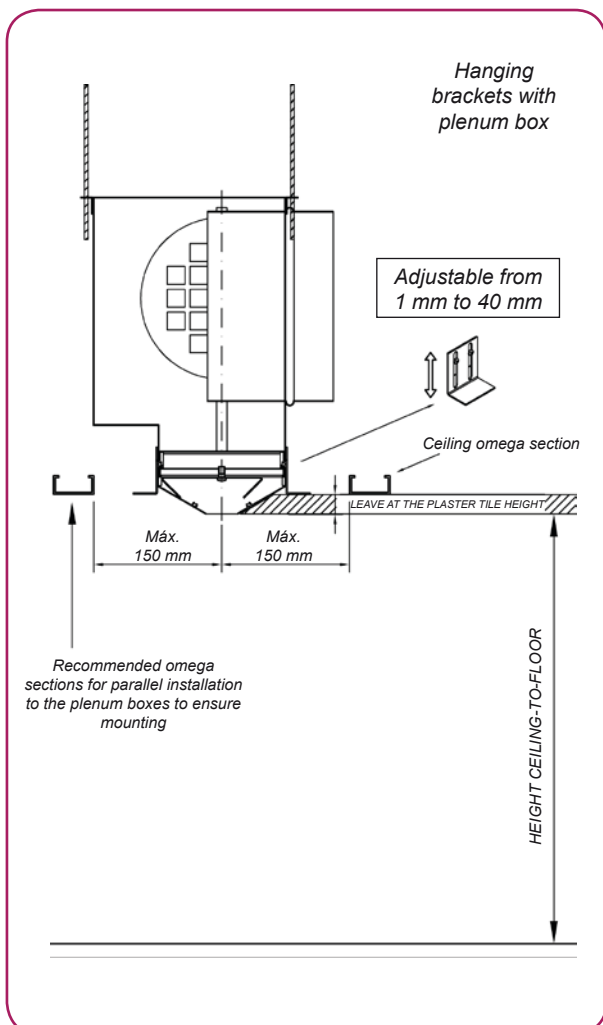
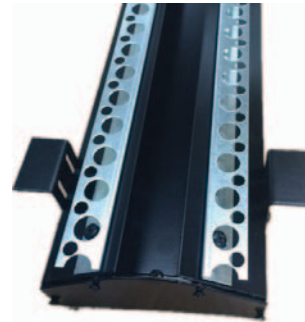
To mount the DF-LIT-E diffuser or diffusers, work as follows:

1.- It is recommended placing mesh tape on the far sides of the diffuser (this will be easier to do with the assembly on the floor). There is also an option to supply the diffuser with the height-adjustable section used to simplify mounting.

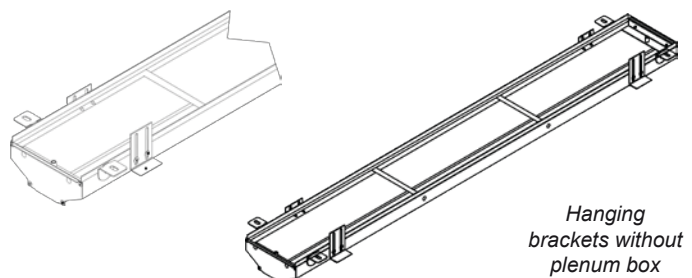
With mesh



With section



2.- Adjust the height of the plenum box. Leave the correct distance between the diffuser edge and brackets for the thickness of the plaster ceiling. To do so, firmly attach the bracket screws at the correct distance. If no plenum box is included, the brackets will be in the diffuser. The height of the support brackets for the diffuser must be adjusted so that the diffuser is perpendicular to the gypsum or plaster tile and the diffuser is properly supported. They should never be used to support the weight of the diffuser or the set of diffusers on the ceiling tile. KOOLAIR recommends installers to mount at both sides of the plenum omega sections at a maximum distance of 150 mm to the diffuser slot centre line to ensure the stiffness of the installation.



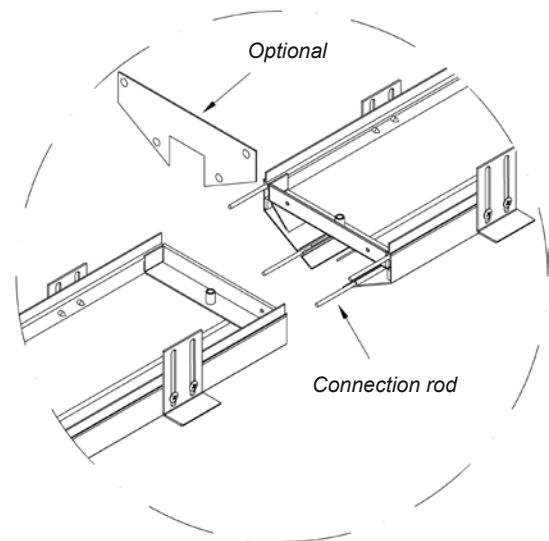
DF-LIT-E Mounting Instructions

3.- Use rods attached to the ceiling to hang the plenum box(es), forming a line. Leave them hanging, taking into account the final height of the ceiling. To do this, the diffuser or set of diffusers should be anchored to the ceiling framework with the respective anchors.

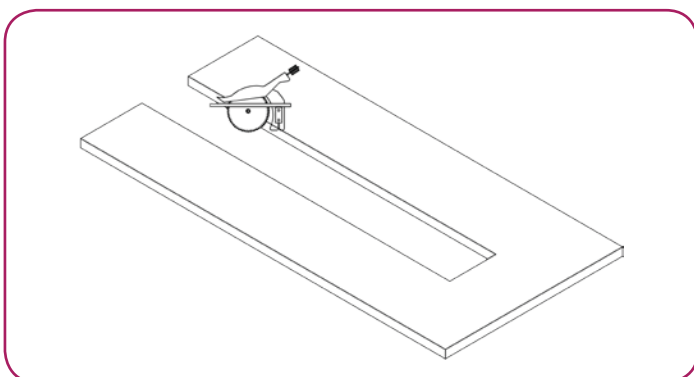


4.- Fit the diffusers, forming a line with the help of the connection rods between the diffusers.

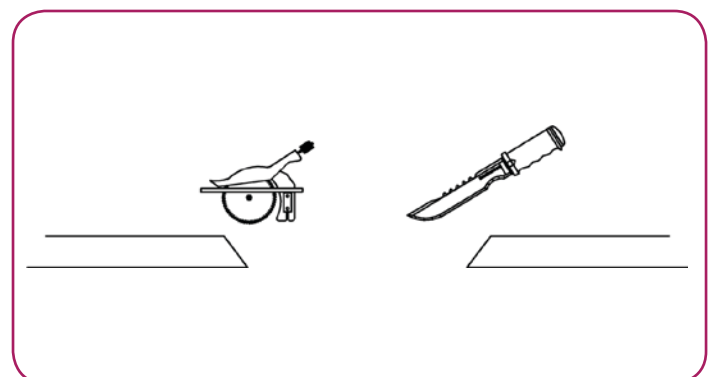
Fit the “rigid or flexible” duct into the discharge of the plenum box, once in position.



5.- Make a straight cut by hand or with a jigsaw in the gypsum or plaster tile with the dimensions of the diffuser slot.

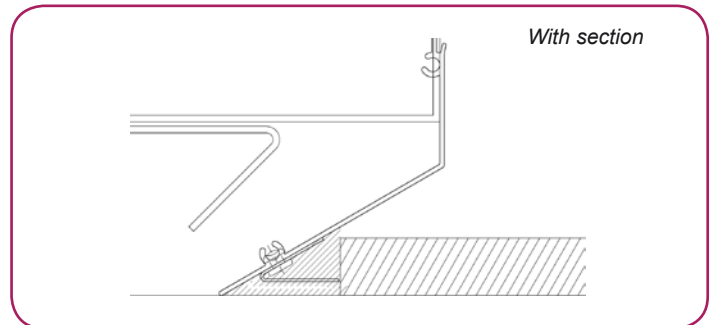
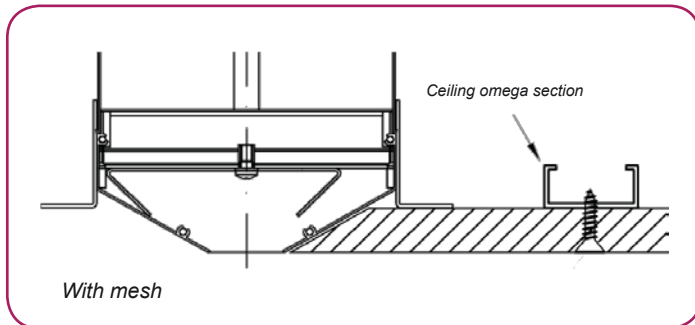


6.- Make an angled cut at 30° by hand or with a milling machine on the sides to support the diffuser correctly.



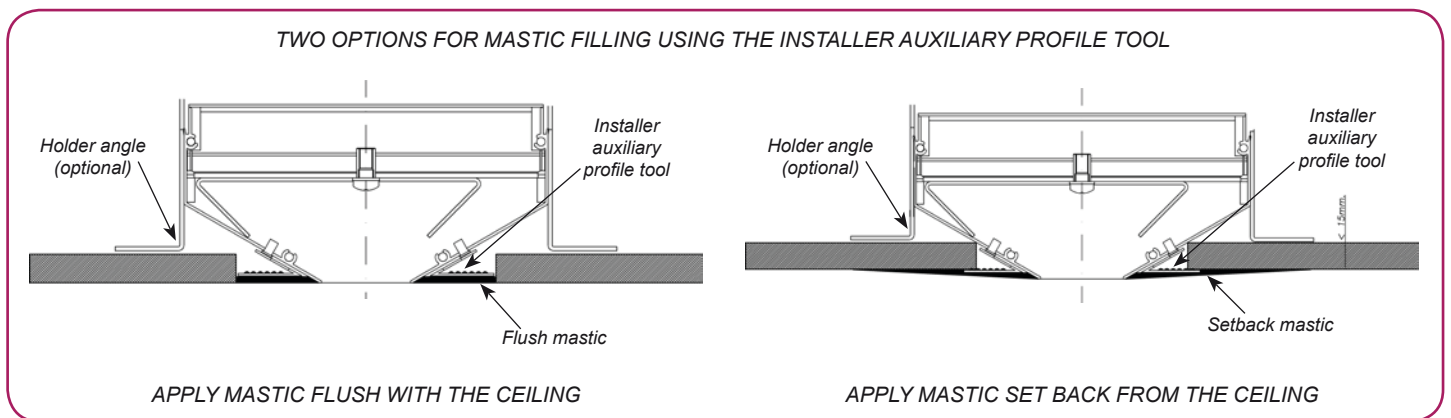
DF-LIT-E Mounting Instructions

7.- Screw the ceiling precut at 30° to the omega sections. The hanging brackets should never be used to support the weight of the diffuser or the set of diffusers on the ceiling tile.



8.- Apply finishing plaster to the slot, making sure that the diffuser slot is not covered, and allow to dry.

It is important to use gypsum to fill the space between the gypsum tile and the mesh tape on the sides.



9.- Withdraw, once dry, the excess material from the slot, leaving the diffuser slot open and clean, and then proceed to paint.

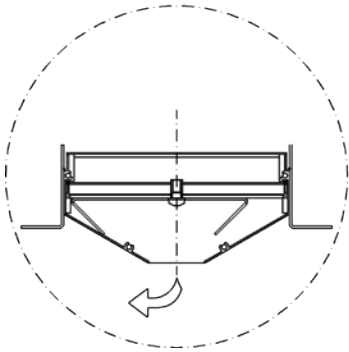


DF-LIT-E

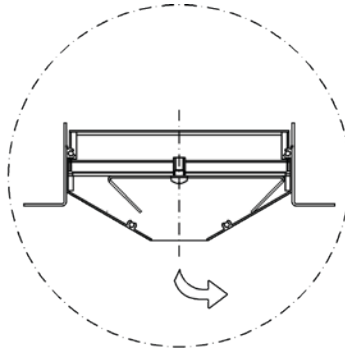
Mounting Instructions

AIR DIRECTION ADJUSTMENT

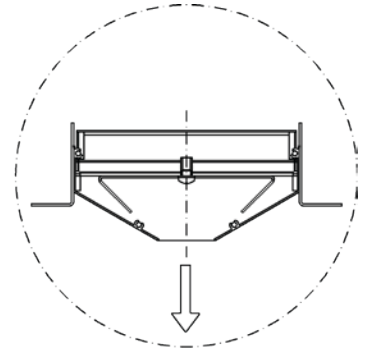
TYPE A



TYPE B

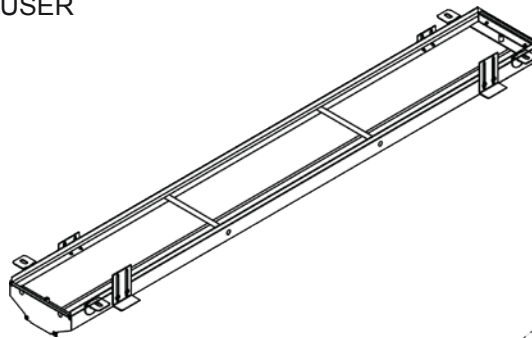


TYPE C



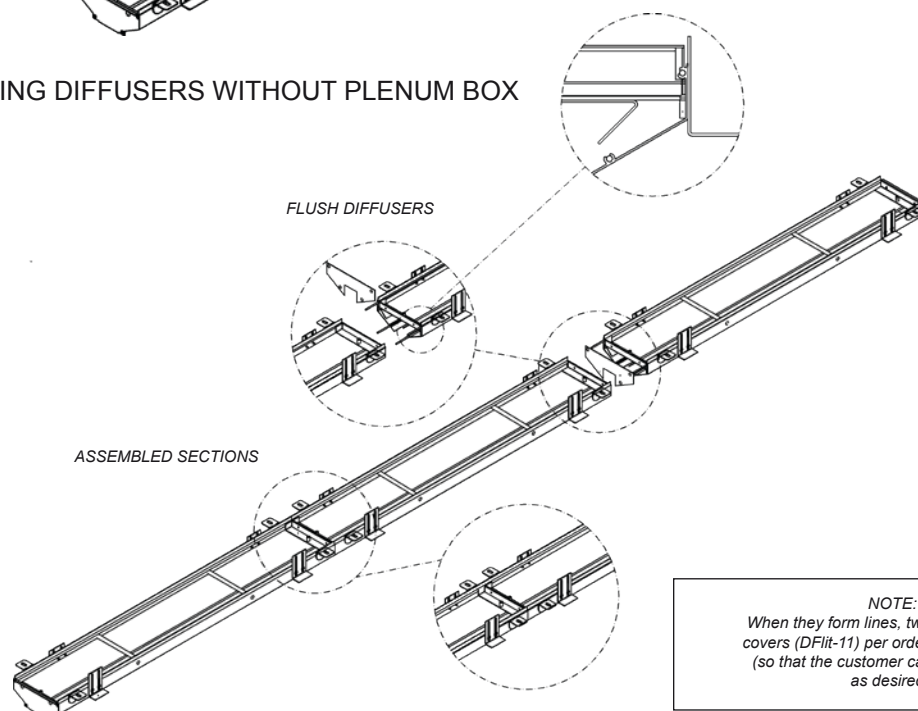
INSTALLATION OPTIONS

OPTION 1 - INDIVIDUAL DIFFUSER



NOTE:
Maximum diffuser length in 1 piece: 2 m

OPTION 2 - LINE-FORMING DIFFUSERS WITHOUT PLENUM BOX



For diffusers without plenum box, the diffuser will be supplied with hanging brackets.

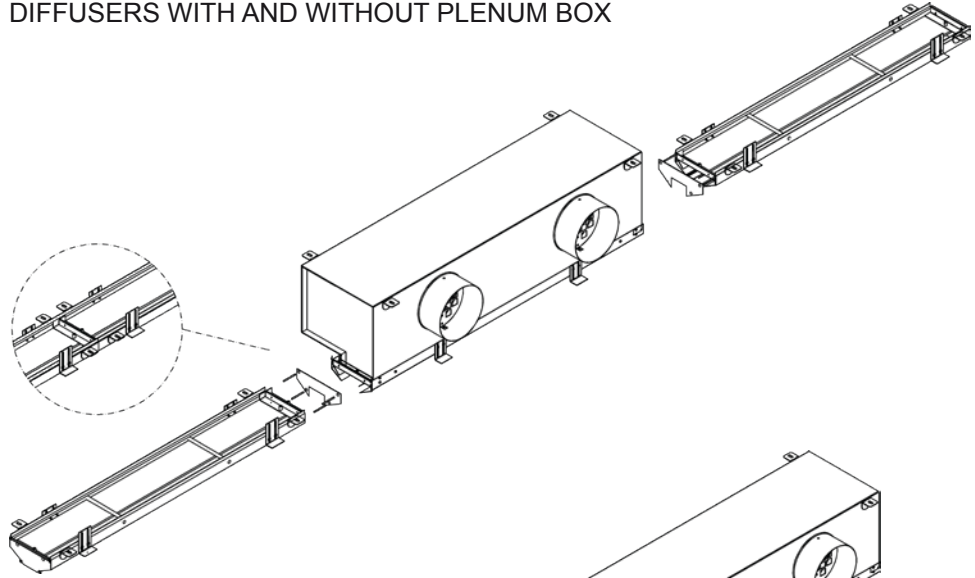


NOTE:
When they form lines, two additional side covers (DFlit-11) per order line will be sent (so that the customer can form sections as desired).

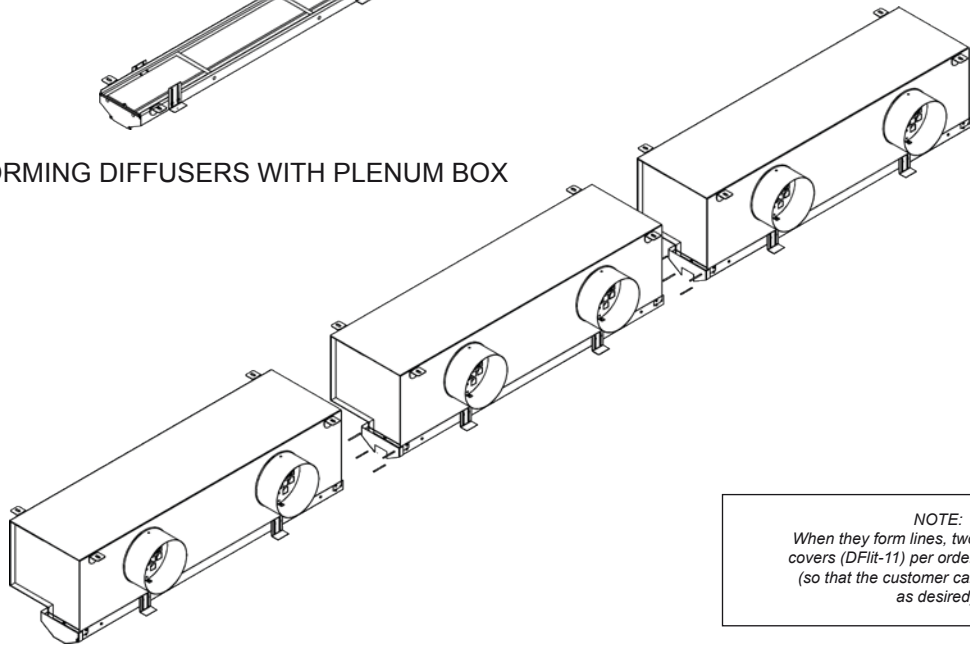
DF-LIT-E Mounting Instructions

OPTION 3 - LINE-FORMING DIFFUSERS WITH AND WITHOUT PLENUM BOX

For diffusers without plenum box, the diffuser will be supplied with hanging brackets.

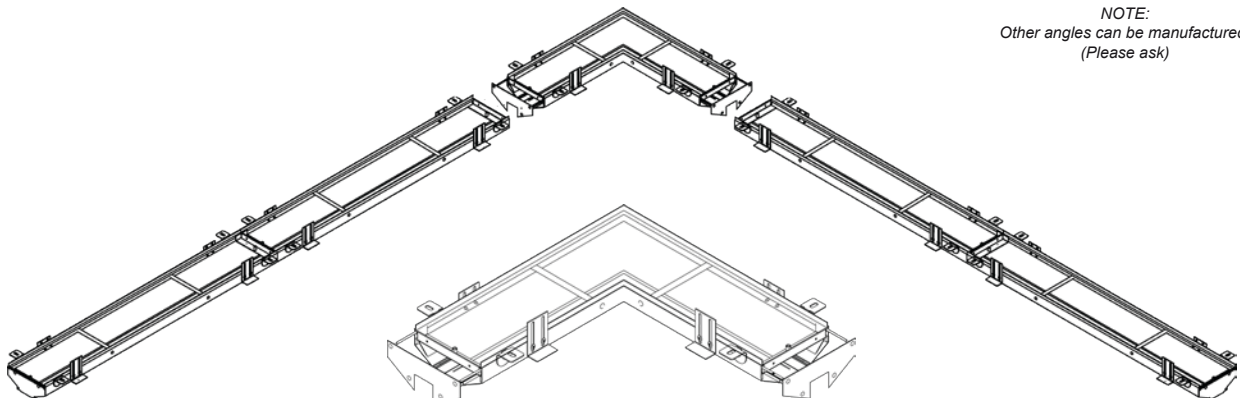


OPTION 4 - LINE-FORMING DIFFUSERS WITH PLENUM BOX



NOTE:
When they form lines, two additional side covers (DFlit-11) per order line will be sent (so that the customer can form sections as desired).

OPTION 5 - 90° CORNER-FORMING DIFFUSERS (STANDARD)

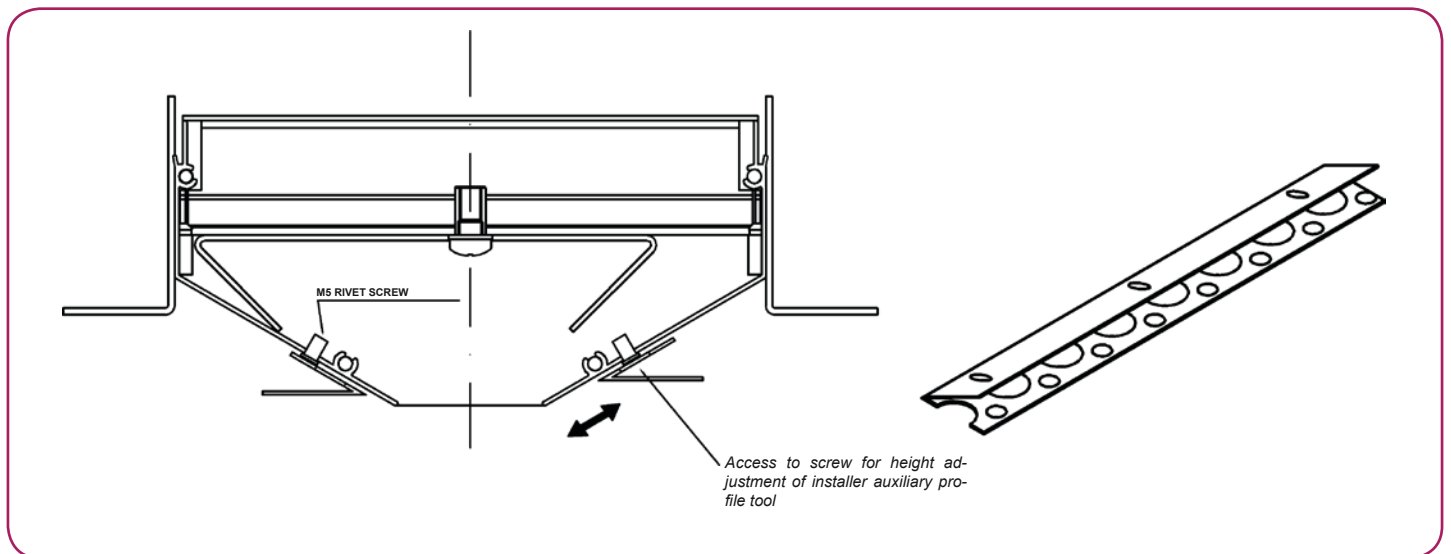


NOTE:
Other angles can be manufactured. (Please ask)

DF-LIT-E Mounting Instructions

POSSIBILITY OF INSTALLATION WITH INSTALLER AUXILIARY PROFILE TOOL

The height of the installer auxiliary profile tool can be adjusted. To adjust, loosen the screws (through the profile tool), move the profile to the distance required and retighten the screw.



POSSIBILITY OF VERTICAL FLUSH-MOUNTING INSTALLATION



THIS CATALOGUE IS INTELLECTUAL PROPERTY.

Partial or full reproduction of its content is strictly prohibited without express written authorisation from KOOLAIR, S.A.



KOOLAIR

KOOLAIR, S.A. (Spain)

Calle Urano, 26

Polig. Ind. nº 2 – La Fuensanta

28936 Móstoles (MADRID)

Tel: +34 91 645 00 33

Fax: +34 91 645 69 62

e-mail comercial: comercial@koolair.com

e-mail Koolair: info@koolair.com

www.koolair.com

Koolair, S.A. reserves the right to change publisher datas and drawings at any time without prior notice written.