

KOOLAIR



Filtration Ceiling



KTF

Mounting
instructions

www.koolair.com

KTF filtration ceiling Mounting instructions



KTF filtration ceiling Mounting instructions

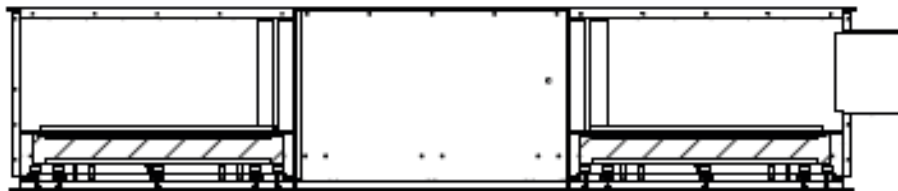
FILTER SIZES

- 305 x 610 x 68 mm
- 610 x 610 x 68 mm
- 915 x 610 x 68 mm
- 1220 x 610 x 68 mm

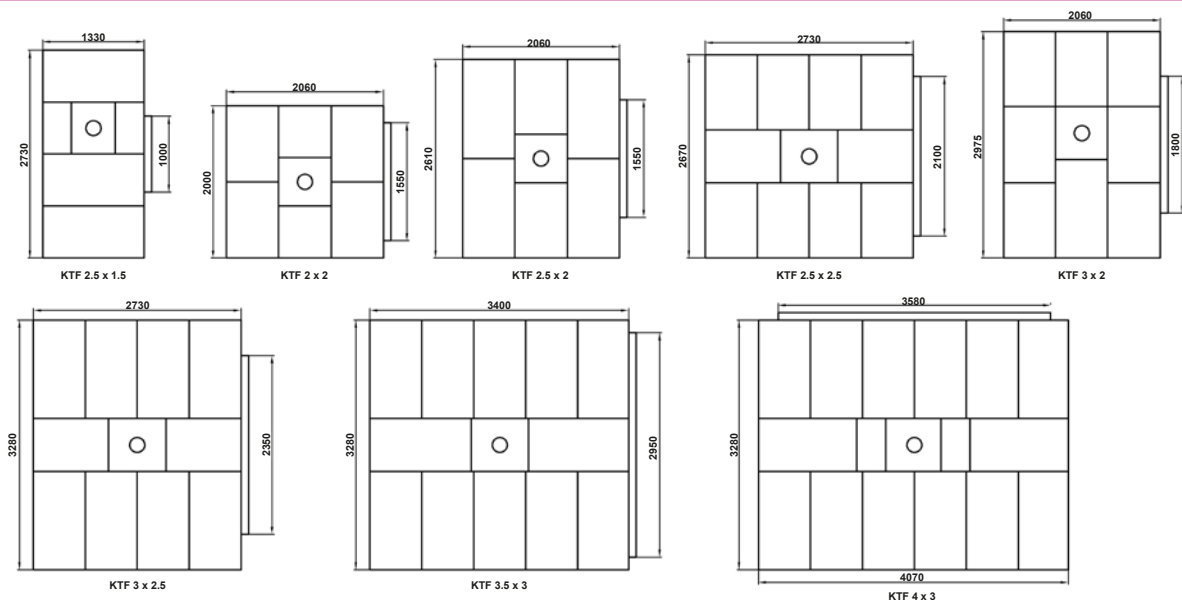
DIFFERENT PANEL COMBINATIONS

KTF SIZE	OPENING		OVERALL DIMENSION				OUTLET			No. OF PIECES	OVERALL DIMENSION (WITH FILTERS)	FILTERS	
	L1	H1	L	x	H	x	A	L	x				H
2,5x1,5	2680	1280	2730	x	1330	x	450	1000	x	200	1	212	(12,6)*3+(3,6)*2
2x2	2010	1950	2060	x	2000	x	450	1550	x	200	2	212	(9,6)*4+(6,6)*2
2,5x2	2560	2010	2610	x	2060	x	450	1550	x	200	2	257	(9,6)*2+(12,6)*4
3x2	2925	2010	2975	x	2060	x	450	1800	x	200	2	277	(9,6)*7+(12,6)*1
2,5x2,5	2680	2620	2730	x	2670	x	450	2100	x	200	2	347	(9,6)*10
3x2,5	3230	2680	3280	x	2730	x	450	2350	x	200	4	410	(9,6)*2+(12,6)*8
3,5x3	3350	3230	3400	x	3280	x	450	2950	x	200	4	478	(12,6)*12
4x3	4020	3230	4070	x	3280	x	450	3580	x	200	4	561	(12,6)*14+(3,6)*2

DRAWING



FILTRATION CEILING SIZES



KTF filtration ceiling Mounting instructions

ASSEMBLY PALLETING

Packing example

The fasteners required are inside the space for the scialytic lamps.

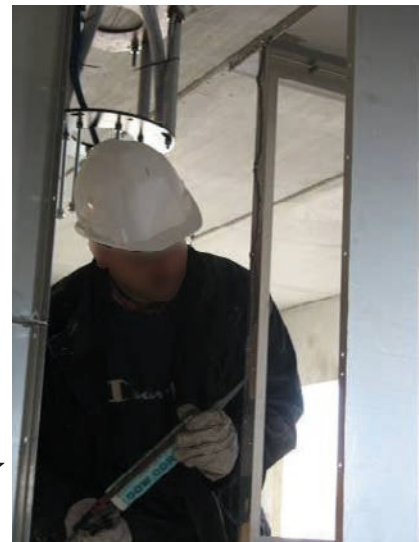


CAREFUL!! Once unpacked, put wooden blocks in place to avoid damaging the supports.

CLEAN THE SILICONE CONTACT SURFACES



Clean all joints of the assembly using 90° alcohol .



Apply silicone to all joint areas of the assembly.

KTF filtration ceiling Mounting instructions

SILICONE APPLICATION METHOD

The diagram illustrates the correct and incorrect methods for applying silicone to the ceiling attachment holes. On the left, a vertical cross-section shows a wavy line of silicone being applied to a series of holes. Blue arrows indicate air flow from the 'Inside' (left) through the holes into the 'operating theater' (right). This is labeled 'Confined air inside the plenum box'. On the right, a similar cross-section shows a zigzag line of silicone. A large red 'X' is overlaid on this diagram. Blue arrows indicate air flow from the 'Inside' (left) through the holes, but some arrows point away from the holes, labeled 'Air leak'. Text next to the red 'X' says 'Do not zigzag between the module attachment holes'. In the center, a photograph shows a worker in a white hard hat and dark clothing applying silicone to the ceiling.

MODULE ASSEMBLY

The assembly process is shown in four steps:

- Top Left:** A photograph of a worker in a white hard hat and dark clothing standing next to a large metal frame. Red arrows point to wooden blocks supporting the unit from below. Text: 'Leave the unit resting on wooden blocks to avoid damage in the ceiling supports.'
- Top Right:** A close-up photograph of the ceiling attachment holes being sealed with a dark material.
- Bottom Left:** A close-up photograph of a hand using a tool to place a rivet into a hole from the inside. Text: 'Place airtight rivets on the inside.'
- Bottom Right:** A photograph of a worker in a white hard hat and dark clothing using a screwdriver to secure a screw into a hole from the outside. Text: 'Screws with nuts on the outside.'

KTF filtration ceiling Mounting instructions

INTERIOR SILICONE APPLICATION AT CEILING



Cleaning of excess silicone once the modules are mounted

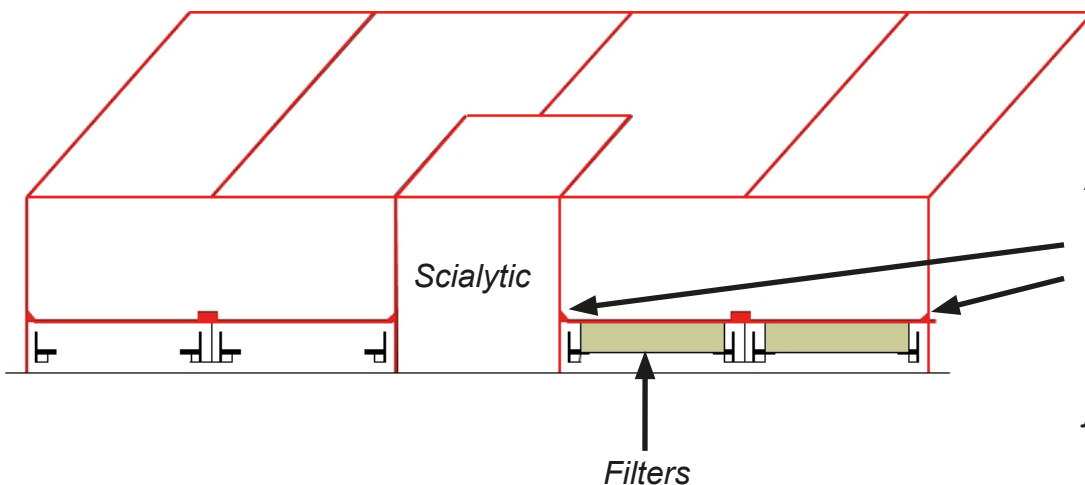


Nozzle application



Finish off using a finger

SILICONE APPLICATION POINTS



Apply silicone to all edges of the plenum box interior and to the edges of the surface-ceiling joint.

KTF filtration ceiling Mounting instructions

PROTECTIVE PLASTIC PLACEMENT

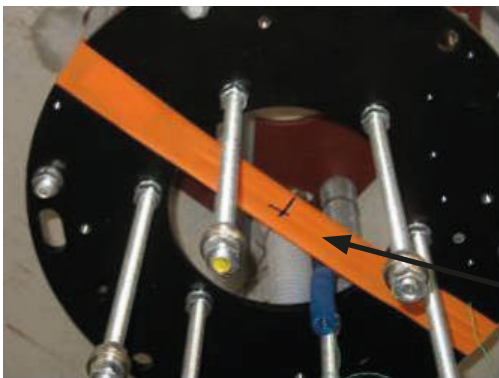
Cover the assembly with plastic when working, in order to keep the assembly as clean as possible; adhesive tape can be used and then removed



CEILING INSTALLATION, STEP 1: CEILING-TO-FLOOR CENTERING

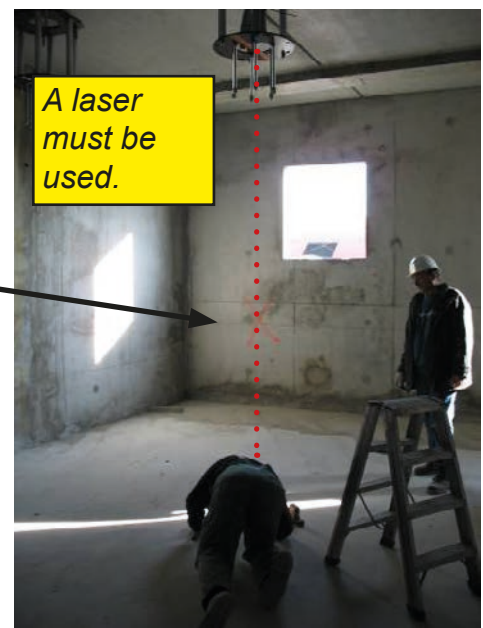


Clean the floor



Locate the middle of the scialytics (middle of ceiling)

Position the laser at the middle of the panel



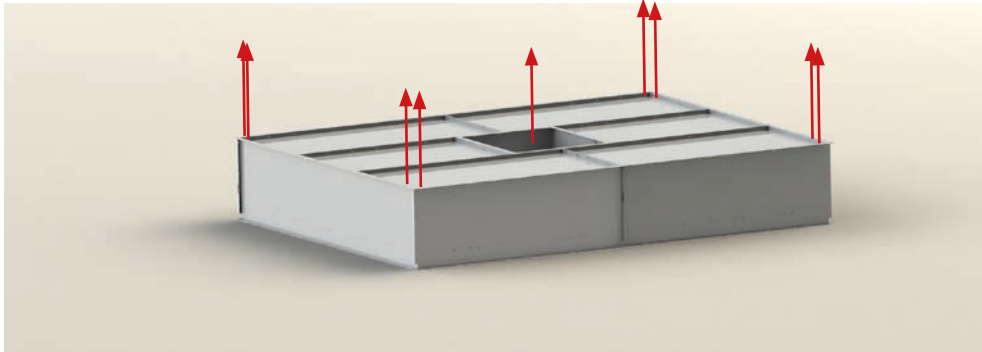
A laser must be used.

KTF filtration ceiling

Mounting instructions

CEILING INSTALLATION, STEP 2: IDENTIFICATION OF ANCHORAGE POINTS

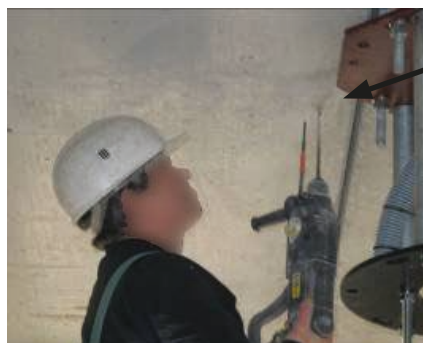
Place the ceiling on the floor, centered with respect to the lamp and aligned with the walls..



The anchorage holes should be matched up and the laser used to mark the start and end holes of each dimension in the ceiling (all other holes have a 200-mm spacing)

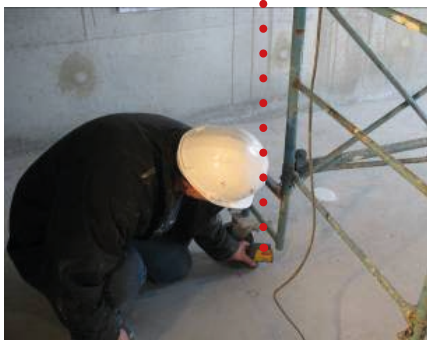
CEILING INSTALLATION, STEP 3: MATCH THESE POINTS UP TO THE CEILING AND INSERT THREADED ATTACHMENT RODS

Ceiling



1. Drill

2. Place the anchor plug



Floor



3. Insert the rod in the block

KTF filtration ceiling Mounting instructions

CEILING INSTALLATION, STEP 4. PANEL HOISTING TO CEILING



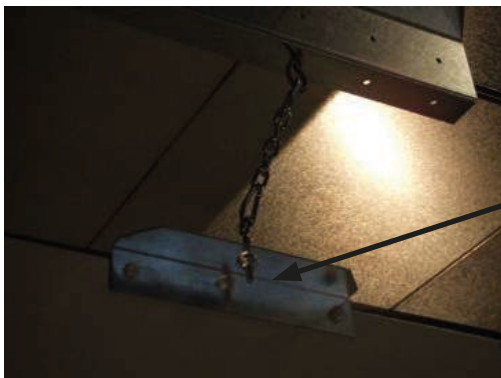
1 - Place the panel in its position

2 - Tilt the panel over the elevation area

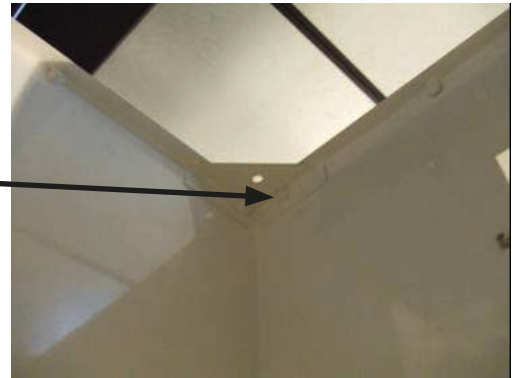


3 - Raise the panel simultaneously to its position, making sure that the rods are properly inserted into the anchorage points

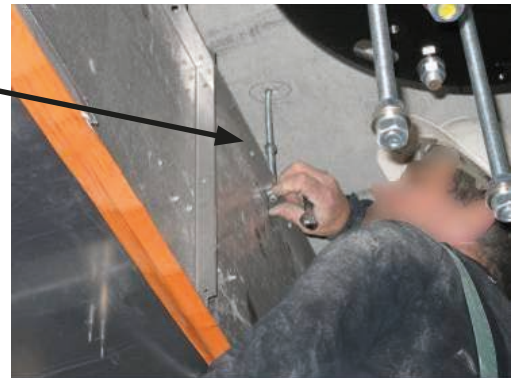
CEILING INSTALLATION, STEP 5: FILTRATION PANEL ATTACHMENT



Safety attachment supports
Careful!!
maintain the elevation system



Attach with washers and nuts

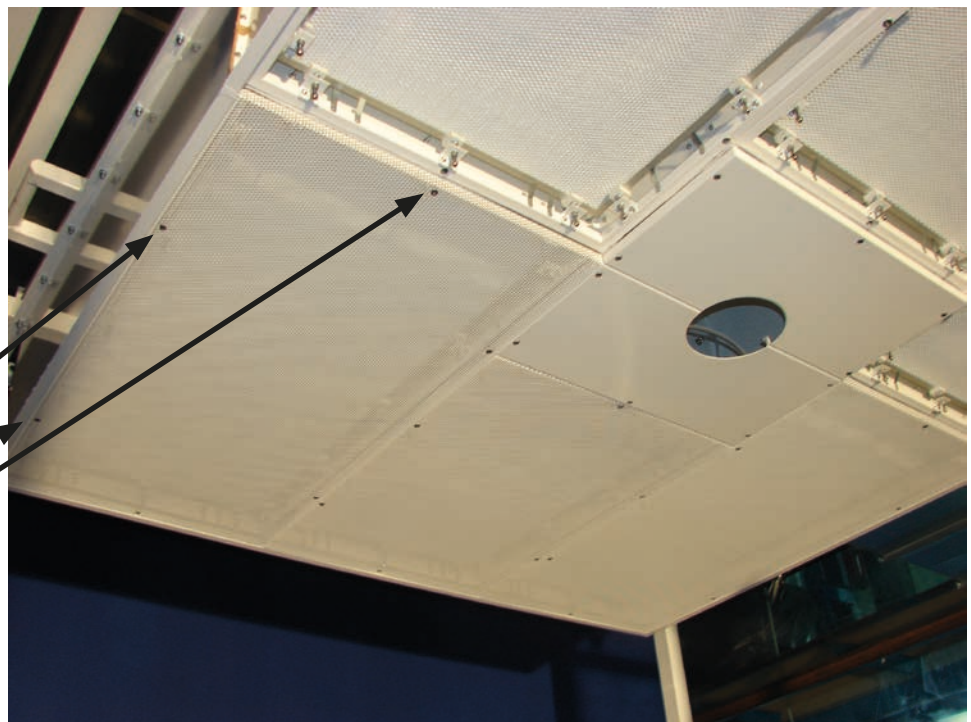


KTF filtration ceiling Mounting instructions

INSTALLED CEILING



FILTER INSTALLATION, STEP 1: REMOVE PERFORATED PLATE



*Loosen the M6
bevel-edged allen
screws and lower the
perforated plate.*

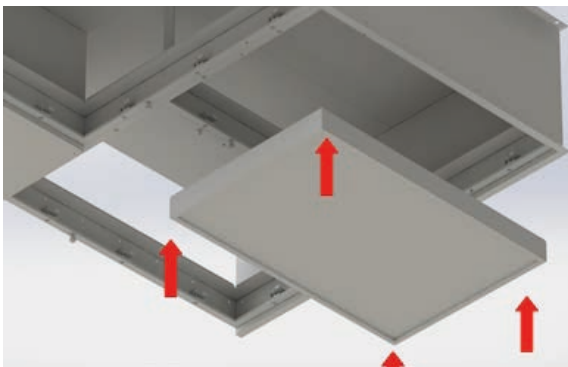
KTF filtration ceiling Mounting instructions

FILTER INSTALLATION, STEP 2: FILTER PLACEMENT

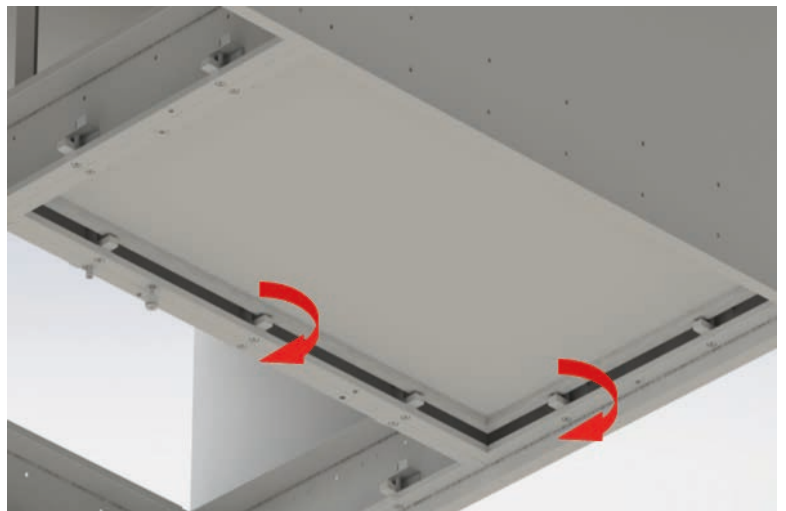


Turn the clamping plates to open the gap to insert the filter

FILTER INSTALLATION, STEP 3: CLAMPING MECHANISMS

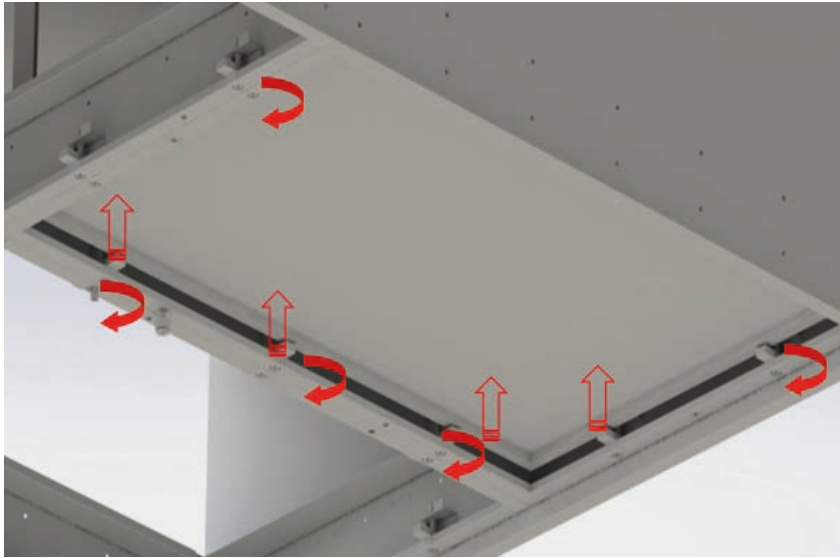


Offer up the filter to the filter holder and turn the clamping plates to hold the filter in place



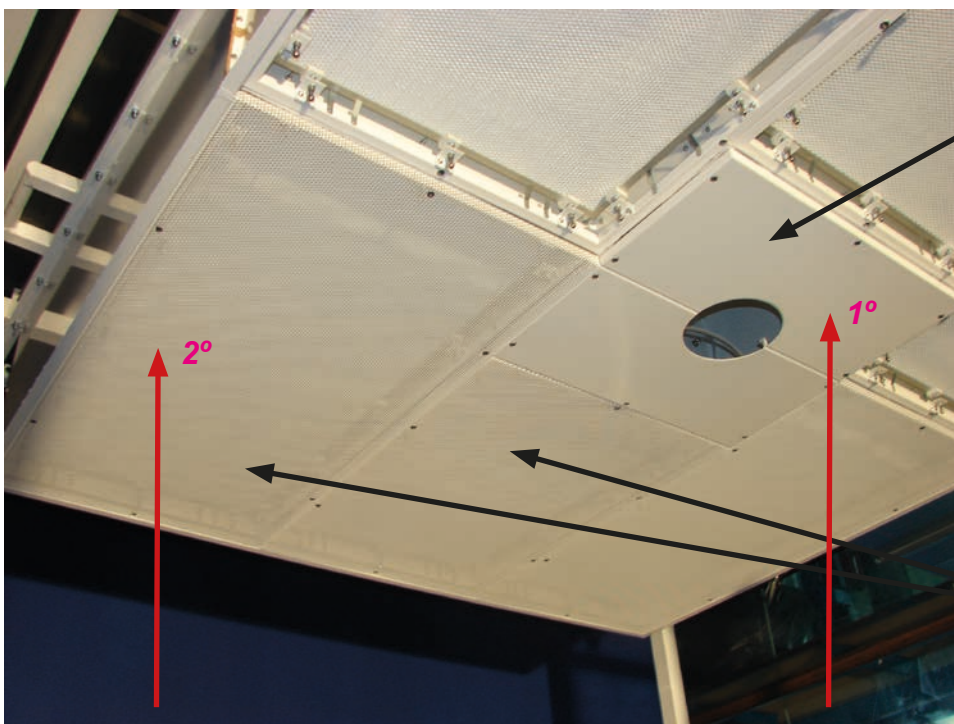
KTF filtration ceiling Mounting instructions

FILTER INSTALLATION, STEP 4: FILTER CLAMPING



Tighten the M8 bolts, alternating between the bolts, until the filter is evenly held over its entire surface. The clamping plate will rise (tighten). The tightening length will depend on the filter seal.

FINISHED CEILING: PERFORATED PLATE PLACEMENT.



First place the middle plates, surrounding the lamp by using the M6 stainless screws supplied

Second, position the perforated plates using the M6 stainless bevel-headed screws supplied.

THIS CATALOGUE IS COPYRIGHTED

Partial or full reproduction of its content is strictly prohibited without express written authorisation from KOOLAIR, S.A.

CES-MIKTF-1115-00



KOOLAIR

KOOLAIR, S.A. (Spain)

Calle Urano, 26

Polig. Ind. nº 2 – La Fuensanta

28936 Móstoles (MADRID)

Tel: +34 91 645 00 33

Fax: +34 91 645 69 62

e-mail comercial: comercial@koolair.com

e-mail Koolair: info@koolair.com

www.koolair.com

Koolair, S.A. reserves the right to change publisher datas and drawings at any time without prior notice written.